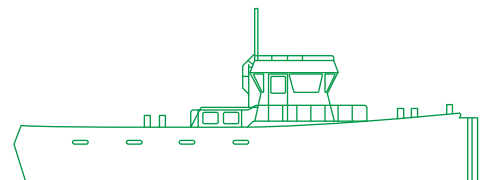




Alibaba Harbour tug

At just over 17 m in length, this highly manoeuvrable harbour tug is powered by two Doosan marine diesel engines and has a bollard pull of over 5 tons, with accommodation for a crew of three.



Registration

Year of build	2010
Builder	Dubai Shipbuilding and Engineering
Port of registry	Dubai
Flag	UAE
Official number	6444
Call sign	A6E22883
Class	RINA
Owner	Middle East Marine DMCCO
Operator	Mubarak Marine LLC

Dimensions

Length overall	17.2 m
Length BP	15.5 m
Breadth	5.3 m
Depth	3 m
Draft	2.2 m

Machinery/propulsion

Main engines	2x Doosan marine engine, 265 Kw (720 bhp) @ 2100 rpm
Generator	2x Perkins 24 kw
Propellers	2x 54" fixed propellers

Tonnage

GRT	41 t
NRT	17 t

Performance

Cruising speed	11 knots
Displacement	62 mt
Bollard pull	5.7 mt
Quick release hook	Yes
Deck crane (optional)	2 t @ 5.5 m

Fuel consumption

Towing/full load	240 imp gal
Free running	144 imp gal
Fresh water consumption	0.5 mt

Navigation/communication equipment

Magnetic compass	1 no
Raytheon, radar/chart	1 no
Search light	1 no
VHF radio	Sailor rt 2048
1x Navtex receiver SNX300, 1x AIS ONWA - KP 708, 1x chart plotter Kodon AR2	

Capacities

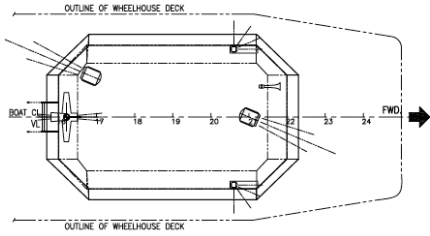
Fuel oil	2850 imp gal
Fresh water	10 mt

Safety equipment

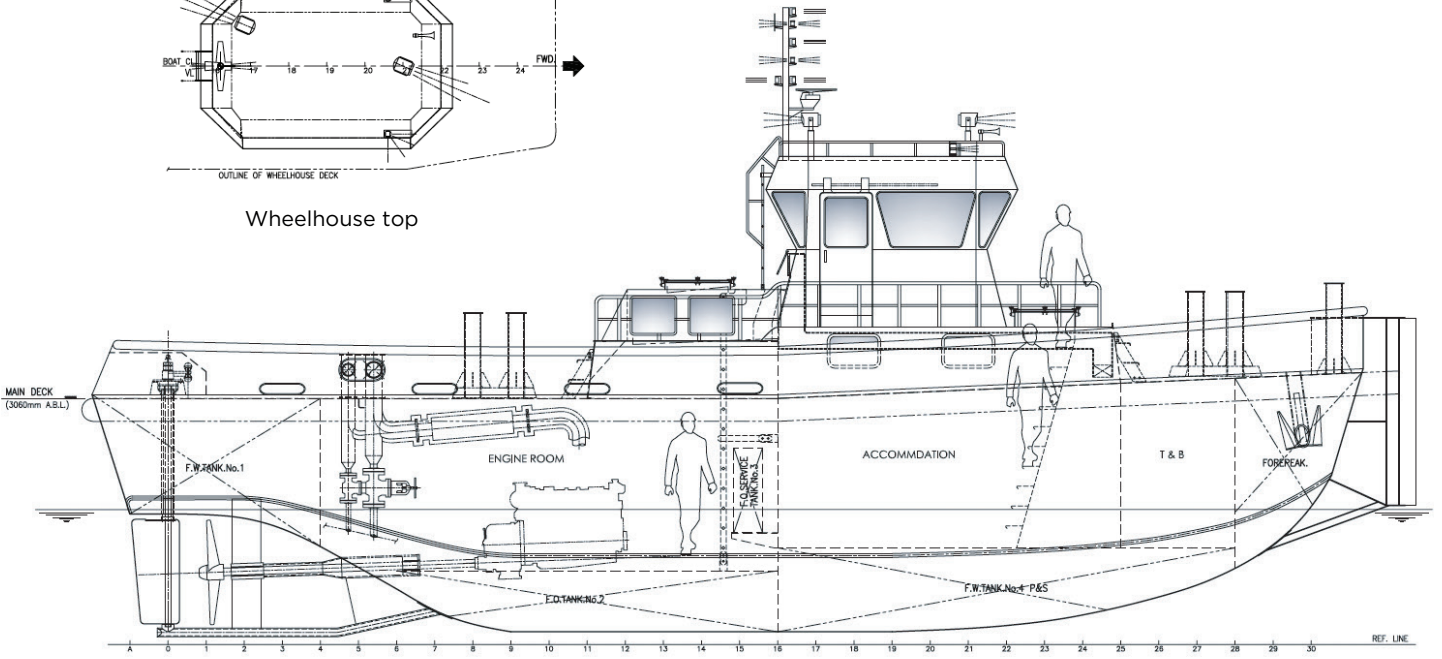
Life rafts	1x 6 persons
Life jackets	4 nos
Life ring	4 nos
Fire extinguisher	2x CO2, 3x DCP S/P
1x EPIRB, 1x SART, 7x hand flares, 6x hand held rocket parachute flares, 2x orange smoke signals	

Accommodation

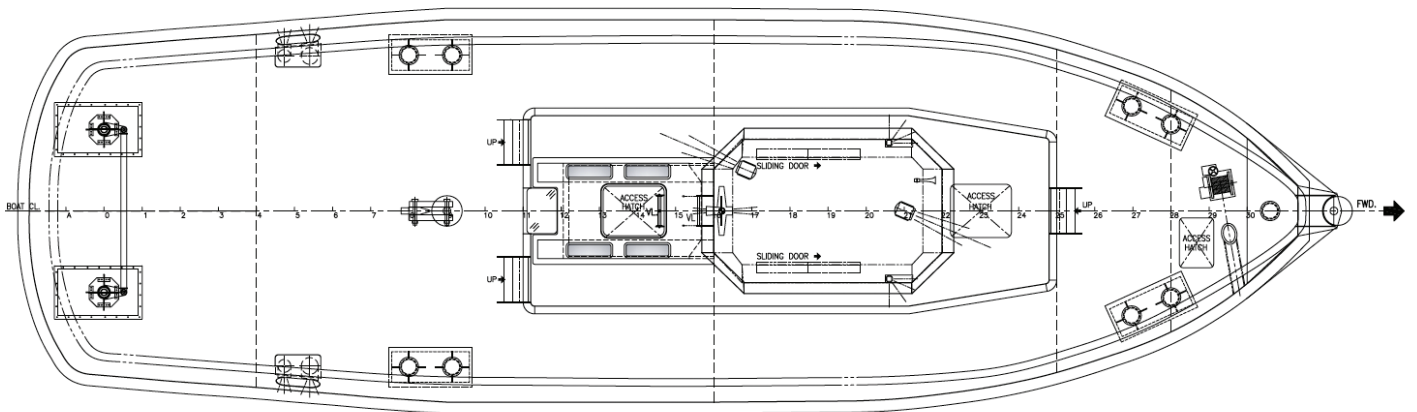
Total	3 nos
-------	-------



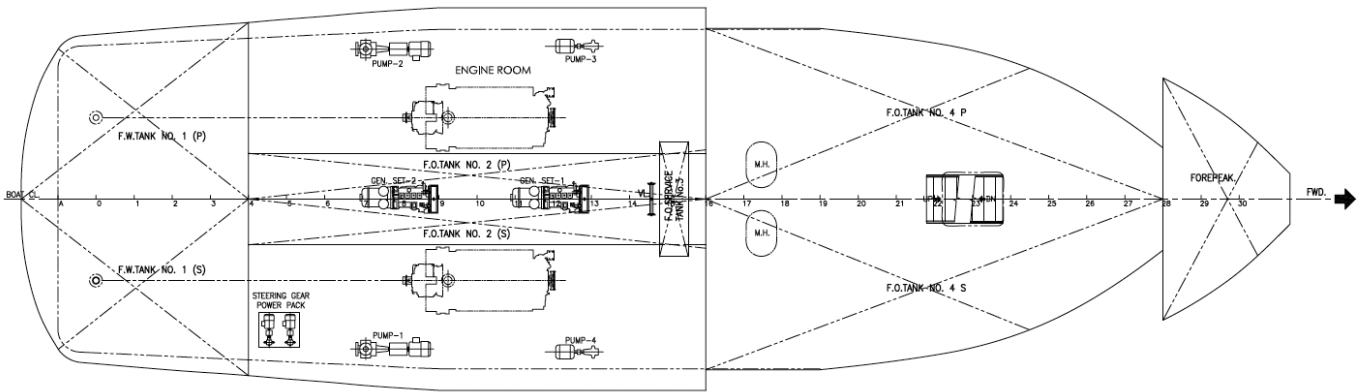
Wheelhouse top



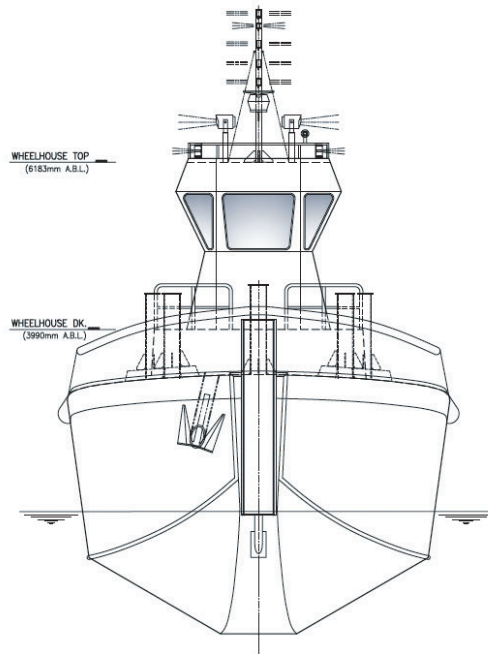
Outboard profile



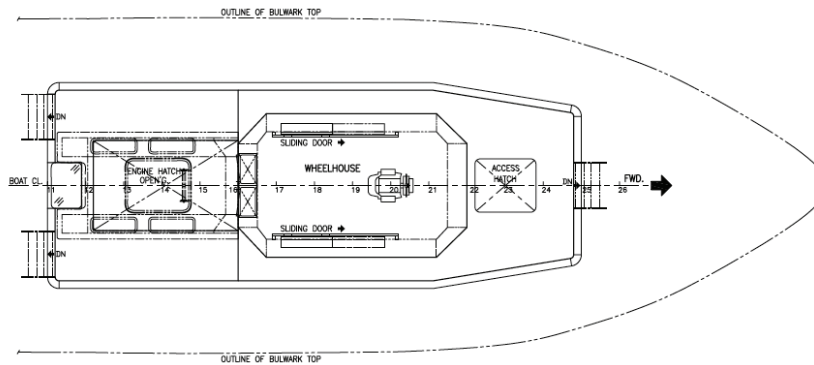
Main deck plan



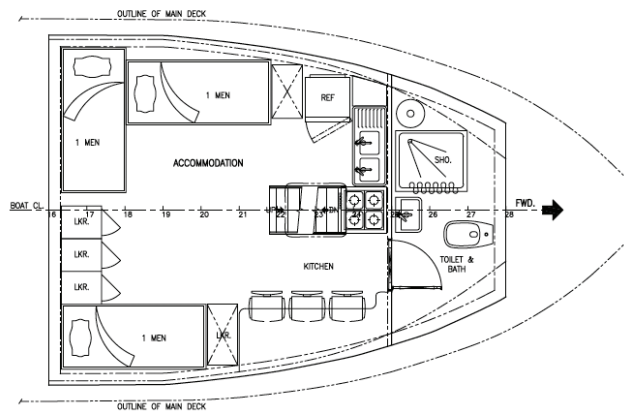
Tank plan



Bow elevation



Wheelhouse deck



Below main deck

Mubarak Marine LLC | PO Box 7220 | Dubai Maritime City | UAE
 T+971 4 586 5200 | F +971 4 586 5299 | marketing@mubarak.ae | mubarakmarine.com

Revision June 2023 | All technical details are provided as a guide only and are subject to owner's changes without notice